

APPLICATION:

PRODUCT NAME:
**STAINLESS STEEL REEL RINSE
 CLOSED WITH SPRAY VALVE**

JOB NAME:

_____ SPECIAL CONFIGURATION
 (CHECK BASE MODEL AND OPTIONS)

QUANTITY:

ITEM NO.:

MODEL:

- 29653 W/ 35' LENGTH HOSE
- 29645 W/ 50' LENGTH HOSE

OPTIONS OR MODIFICATIONS:

- BRUSH
- OTHER _____

FEATURES:

REEL RINSE

- * ENCLOSED DESIGN
- * STAINLESS STEEL CONSTRUCTION
- * ADJUSTABLE GUIDE SLEEVE
- * RATCHED LOCK AND EASY TENSION ADJUST
- * STAINLESS STEEL OR BRASS FLUID PATH

HOSE

- * 35' OR 50' LENGTH REEL HOSE
- * 3/8" ID HIGH TEMPERATURE HOSE
- * 3-PLY FIBER REINFORCED
- * 1/2" F OR 3/8" F NPT INLET
- * 18" LENGTH INLET HOSE
- * ADJUSTABLE BALL STOP

PRO SPRAY VALVE

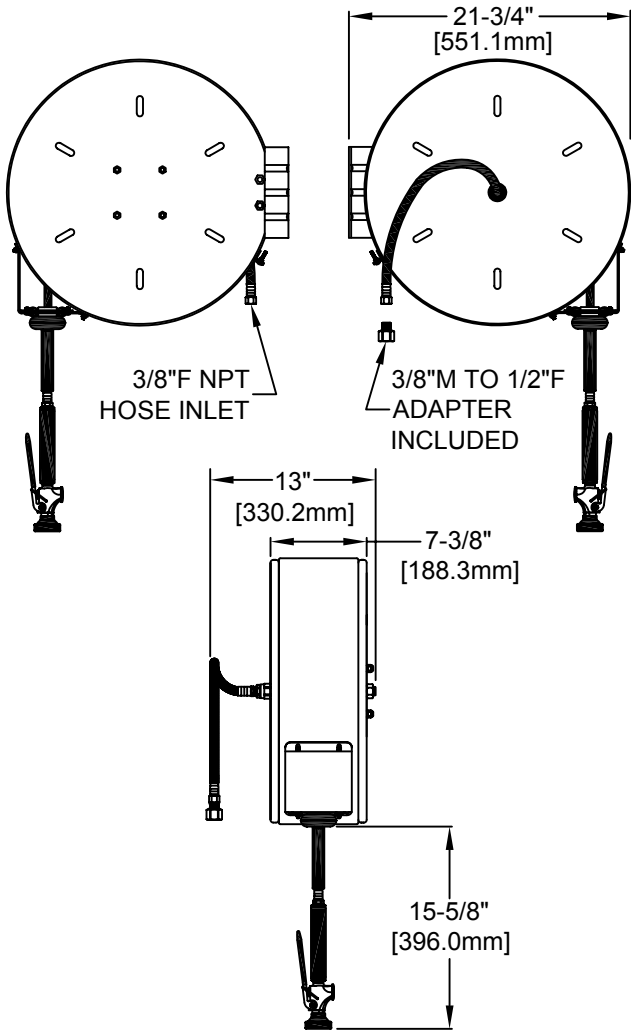
- * SOLID BRASS SHOWER HEAD - NO "O" RINGS TO LEAK
- * BRONZE HANDLE - NOT PLASTIC - MEANS FULL "ON"
- * FITS ALL BRANDS
- * 2.65 GPM AT 80 PSI
- * SHOWER SPRAY PATTERN

SYSTEM LIMITS

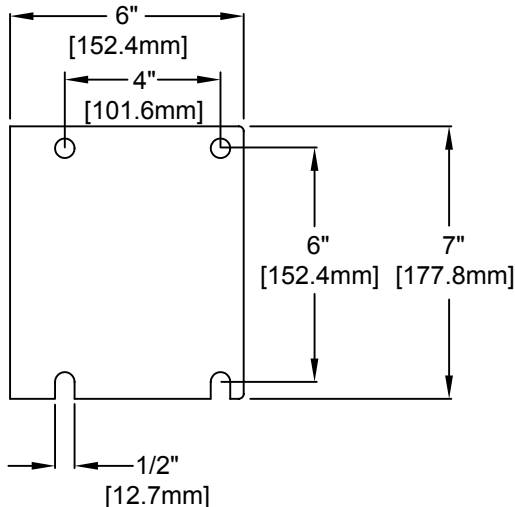
- * TEMP: 40°F MIN. TO 140°F MAX.
- * PRESSURE 150 PSI MAX. STATIC

SHIPPING WEIGHT

- * 29653 - 59.0 LBS
- * 29645 - 61.0 LBS



ROUGH-IN: SEE MOUNTING PLATE BELOW



ANSI/A112.18.1M

FISHER

FISHER MANUFACTURING COMPANY
 TOLL FREE: 800-421-6162 - FAX: 800-832-8238
 information@fisher-mfg.com - www.fisher-mfg.com